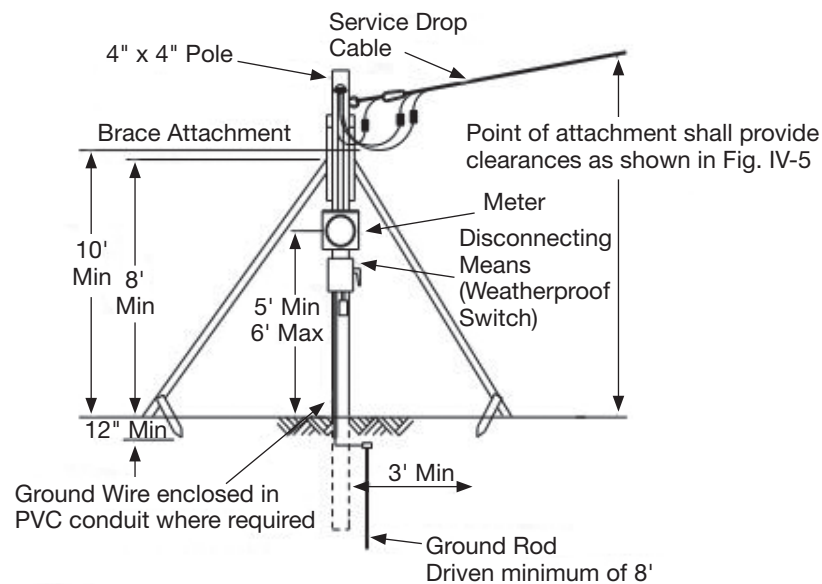
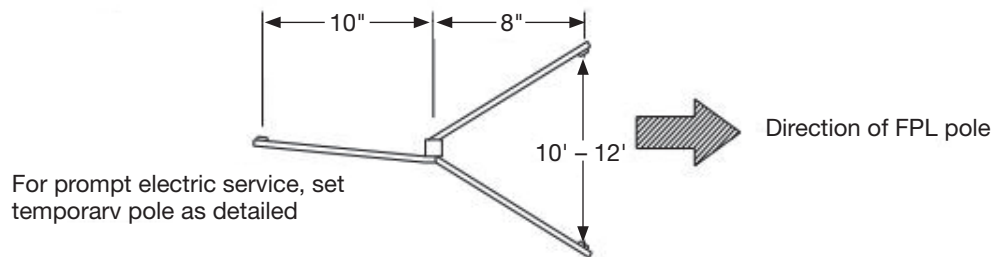


Electric Service Standards

Temporary/Construction Service - from Overhead System (typical)



Notes:

1. Before service can be run, Company must have an electrical inspection; necessary tree trimming shall be done by the customer; and the deposit and non-refundable temporary service charge shall be paid
2. Service pole shall not be within 25 ft. of swimming pool and must provide clearances shown in Fig. IV-5.
3. Unspliced timbers are required (minimum length of 12 ft. for 2x4 braces and 16 ft. for 4x4 posts. Use ten penny (10d) nails (3" long).
4. Special arrangements shall be made with FPL if service drop exceeds 80 ft. or is larger than 200-amp capacity.
5. Minimum typical requirements are shown. If local code requirements are more stringent, the shall be adhered to.
6. The surface the meter socket is mounted on shall be plumb so the meter socket jaws are truly vertical. The meter enclosure must be on FPLs approved list.
7. Where acceptable to the inspecting authority, an 18 ft. treated pole (5" min diameter at the top) may be substituted for the 4x4 timber and braces, provided the pole is set 5 ft. deep and well tamped. All other requirements remain the same.